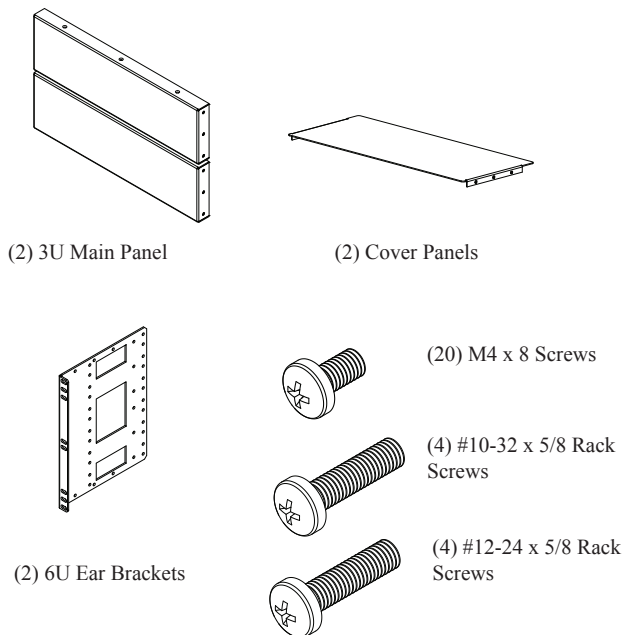


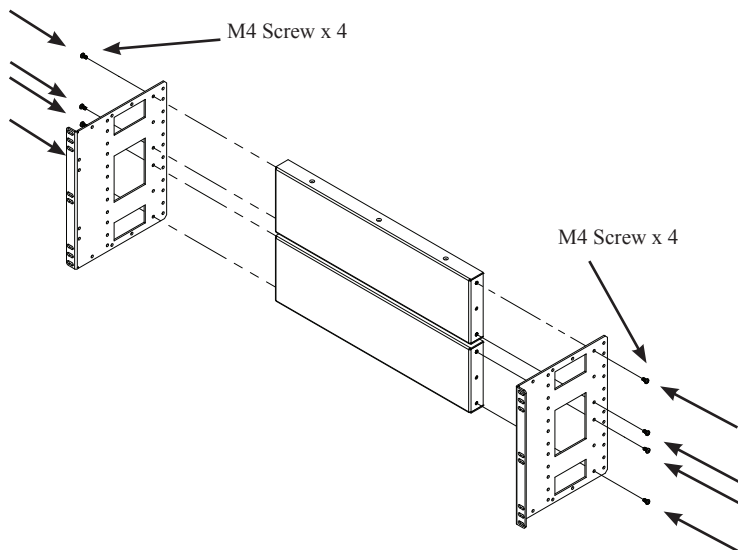
# IRP208SB-6U 6U Solid Panel Installation

## Included in this package

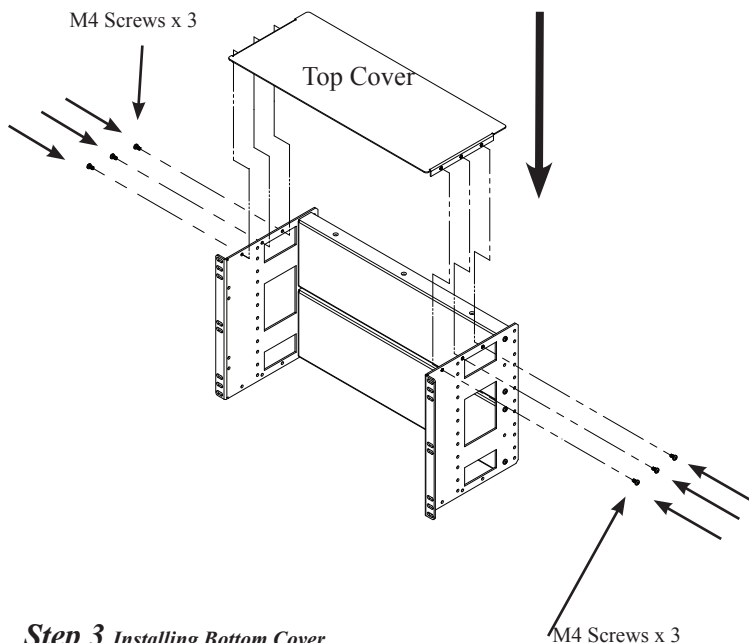


## Installation Steps

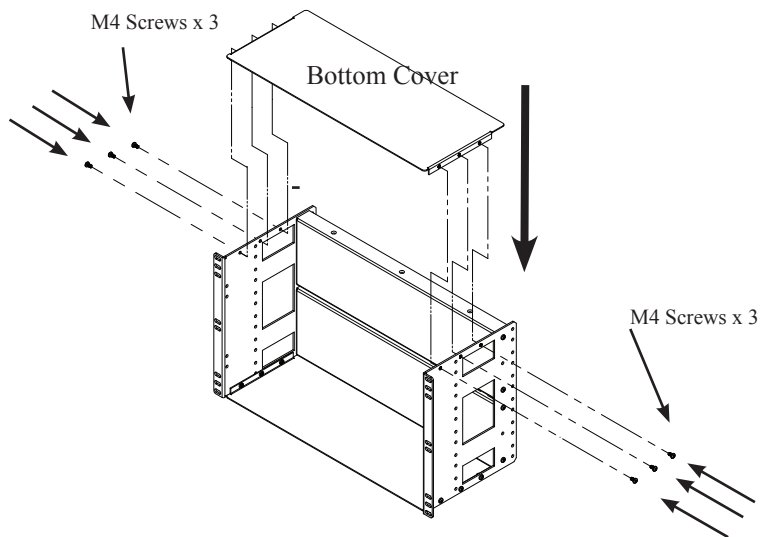
### Step 1 Installing Ear Brackets



### Step 2 Installing Top Cover



### Step 3 Installing Bottom Cover



### Step 4 Installing Completet

